

PIP-II IT Beam Pattern Generator  
BPG Drive Amplifier -- Top Level



Operated by Fermi Research Alliance, LLC  
under Contract No. DE-AC02-07CH11359  
with the United States Department of Energy.

Size	Rev	BPG Drive Amplifier-Top	
B	A	Sheet	1 of 5
Number	Date: 7/17/2020	Engineer:	J. E. Dusatko
	Time: 9:51:27 AM	Drawn:	J. E. Dusatko
		Checked:	D. Klepec
		Approved:	

Y:\Projects\ITRF\System\Hardware\BPG\drive\_amp\sch\_bpg\_drive\_amp\_top\_level.dwg

A

A

B

B

C

C

D

D

6

5

4

3

2

1

6

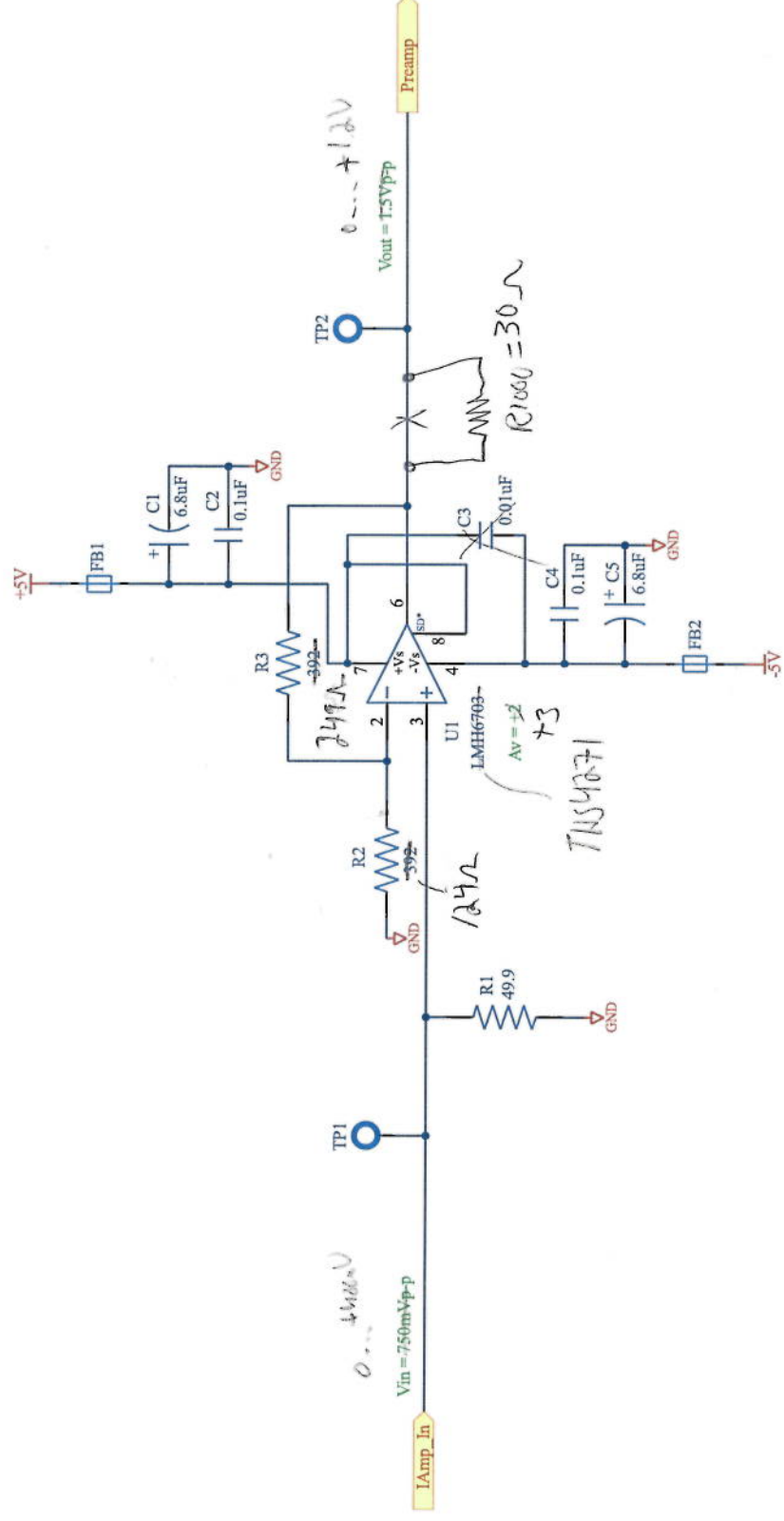
5

4

3

2

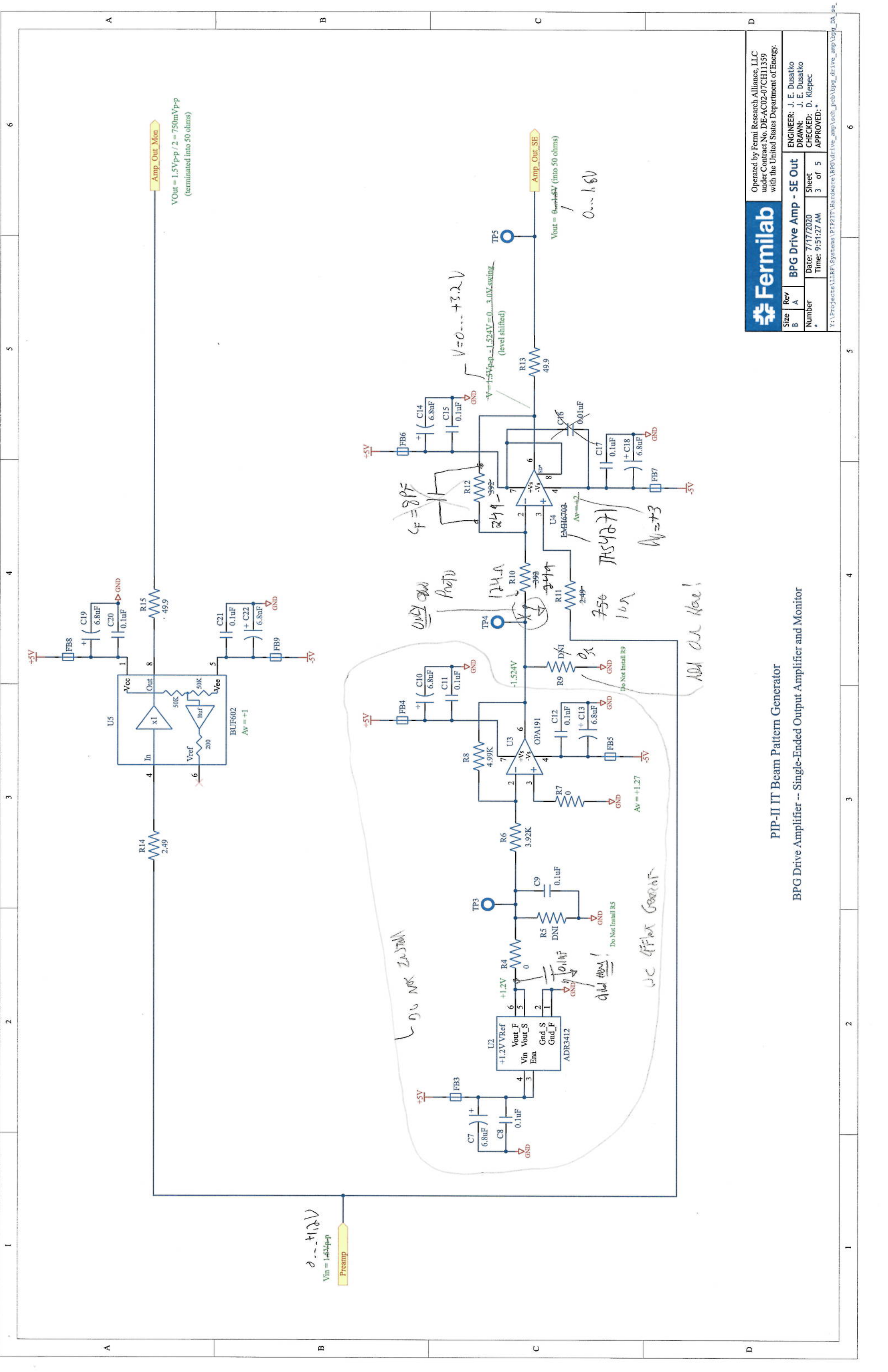
1



**Fermilab**  
 Operated by Fermi Research Alliance, LLC  
 under Contract No. DE-AC02-07CH11359  
 with the United States Department of Energy.

Size B	Rev A	BPG Drive Amp - In Amp	ENGINEER: J. E. Dusatko
Number *	Sheet 2 of 5		DRAWN: J. E. Dusatko
	Date: 7/17/2020		CHECKED: D. Klepec
	Time: 9:51:27 AM		APPROVED: *

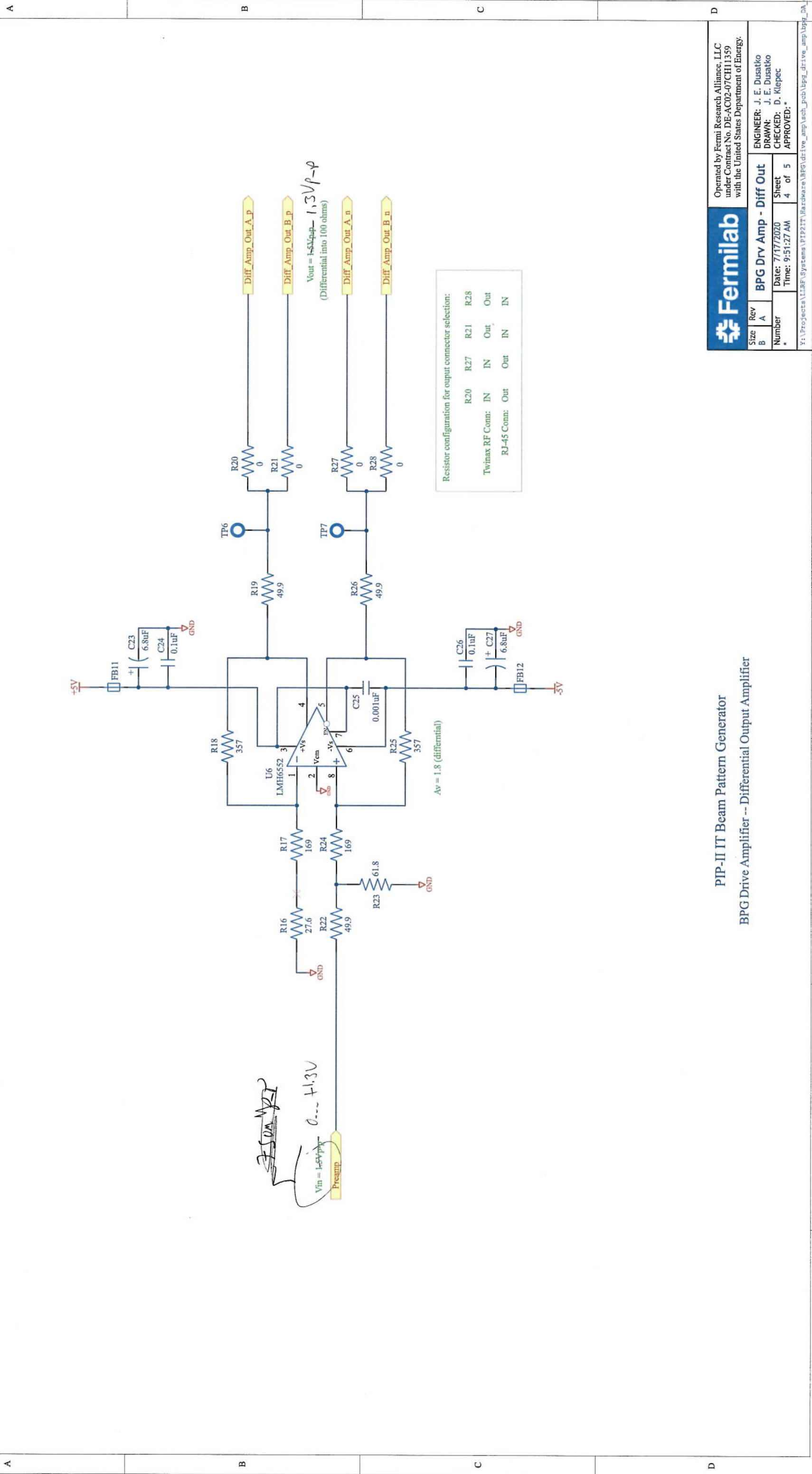
PIP-II IT Beam Pattern Generator  
 BPG Drive Amplifier -- Input Amplifier



<b>Fermilab</b> Operated by Fermi Research Alliance, LLC under Contract No. DE-AC02-07CH11359 with the United States Department of Energy.		ENGINEER: J. E. Dusatko
		DRAWN: J. E. Dusatko
Size B	Rev A	BPG Drive Amp - SE Out
Number *	Date: 7/17/2020	Sheet 3 of 5
Y:\Projects\LLRF\System\PIP2IT\Hardware\BPG\drive_amp\sch_pcb\bbg_drive_amp\bbg_da.se		Time: 9:51:27 AM
		APPROVED: *

PIP-II IT Beam Pattern Generator

BPG Drive Amplifier -- Single-Ended Output Amplifier and Monitor

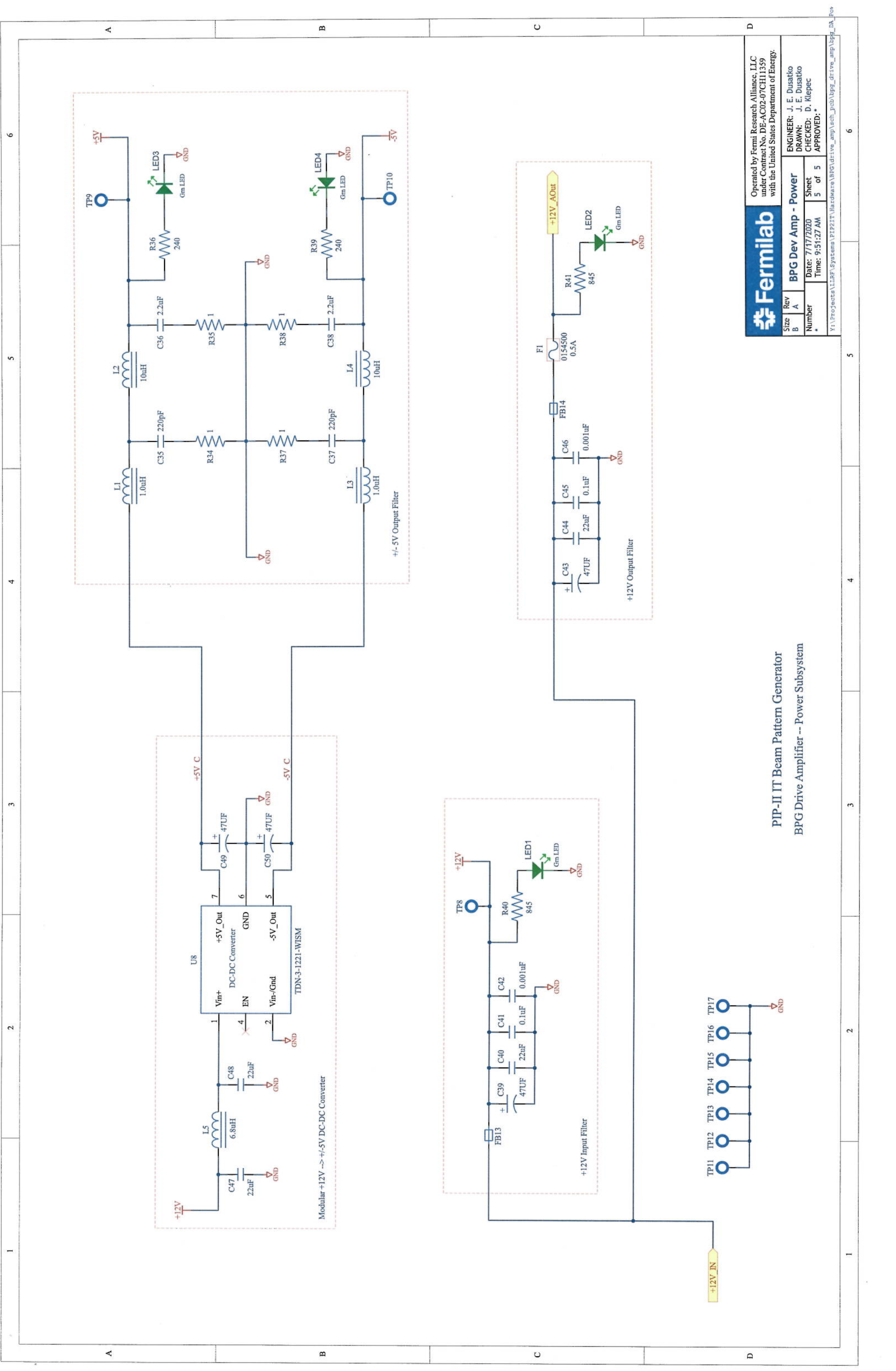


**Fermilab**  
 Operated by Fermi Research Alliance, LLC  
 under Contract No. DE-AC02-07CH11359  
 with the United States Department of Energy.

Size	Rev	BPG Drv Amp - Diff Out	
B	A	ENGINEER:	J. E. Dusatko
Number		DRAWN:	J. E. Dusatko
*		CHECKED:	D. Klepec
		APPROVED:	*
		Date:	7/17/2020
		Time:	9:51:27 AM
		Sheet	4 of 5

Y:\Projects\LLRF\System\PIP2IT\Hardware\BPG\drive\_amp\bpg\_drive\_amp\_bpg\_DA.drl

PIP-II IT Beam Pattern Generator  
 BPG Drive Amplifier -- Differential Output Amplifier



<b>Fermilab</b>		Operated by Fermi Research Alliance, LLC under Contract No. DE-AC02-07CH11359 with the United States Department of Energy.	
Size	Rev	ENGINEER: J. E. Dusatko	
B	A	DRAWN: J. E. Dusatko	
Number		Date: 7/17/2020	Sheet
		Time: 9:51:27 AM	5 of 5
		CHECKED: D. Klepec	APPROVED: *
Y:\Projects\11359\System\PIP2IT\Hardware\BPG\drive_amp\bbg_da_Rev			

PIP-II IT Beam Pattern Generator  
BPG Drive Amplifier -- Power Subsystem