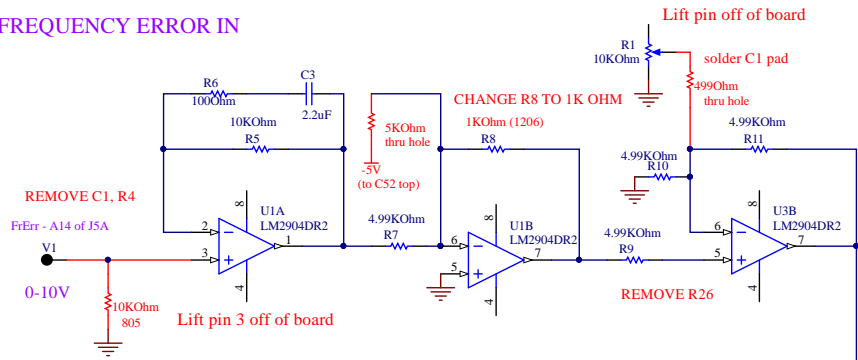
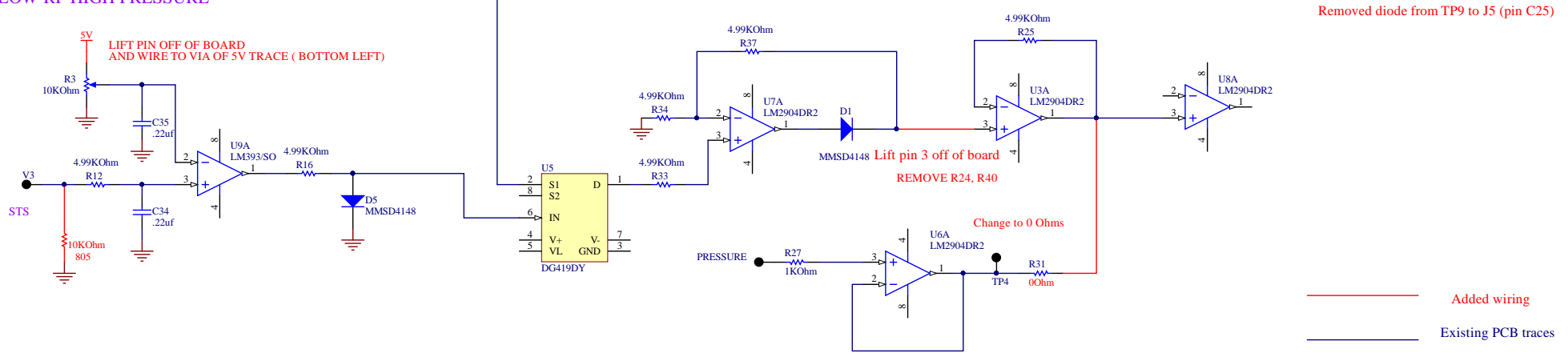


**FREQUENCY ERROR IN**



**LOW-RF HIGH PRESSURE**



— Added wiring  
— Existing PCB traces

**Fermilab** Operated by Fermi Research Alliance, LLC under Contract No. DE-AC02-07CH11359 with the United States Department of Energy.

Size B	Rev *	Mods for Digital LLRF	ENGINEER: *
Number *	Date: 12/17/2019	Sheet * of *	DRAWN: Dan Klepec
	Time: 8:47:55 AM		CHECKED: *
			APPROVED: *

Y:\Projects\LLRF\Components\Hardware\Chassis Modules\Slow Tuner Control Eurocra\Mod11