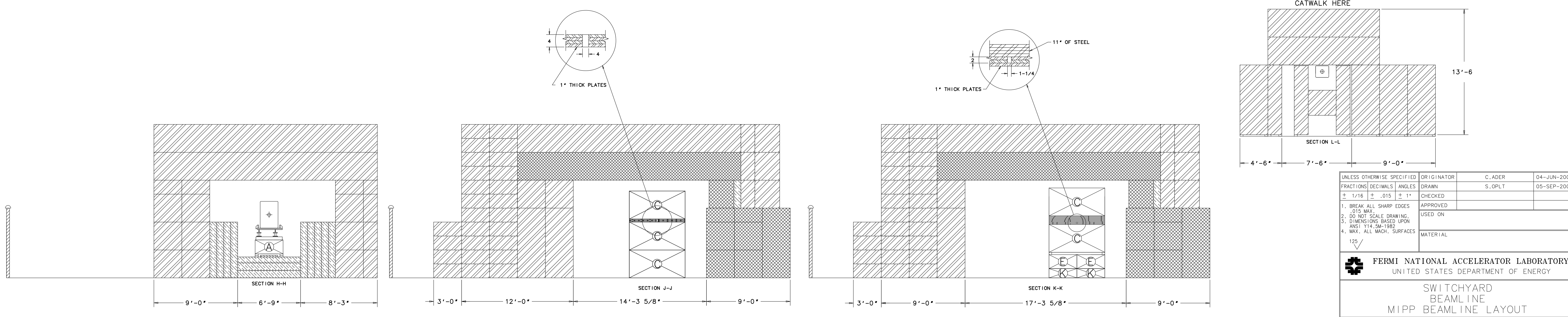
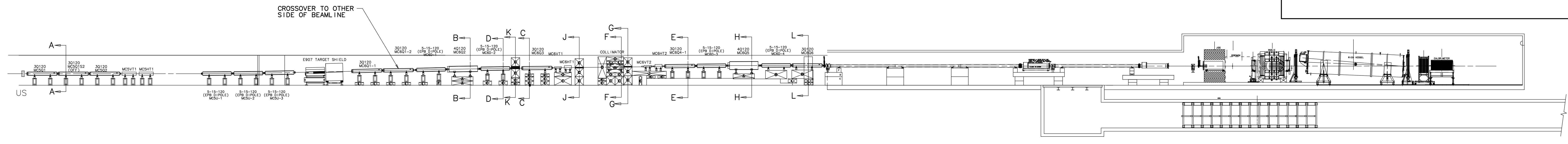
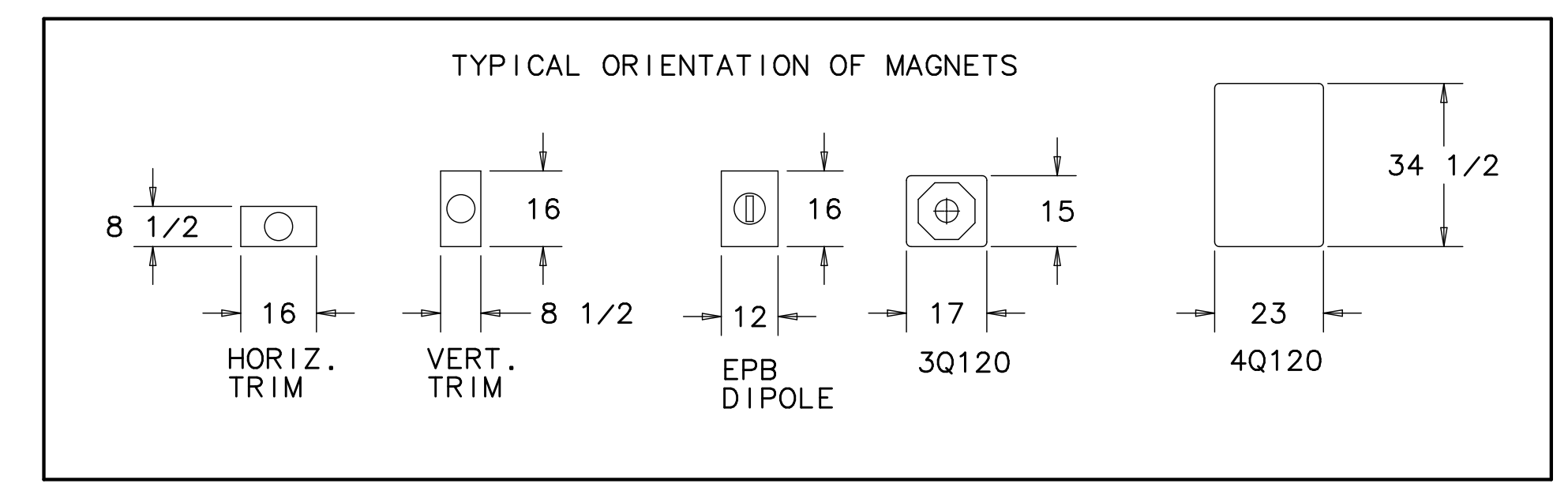
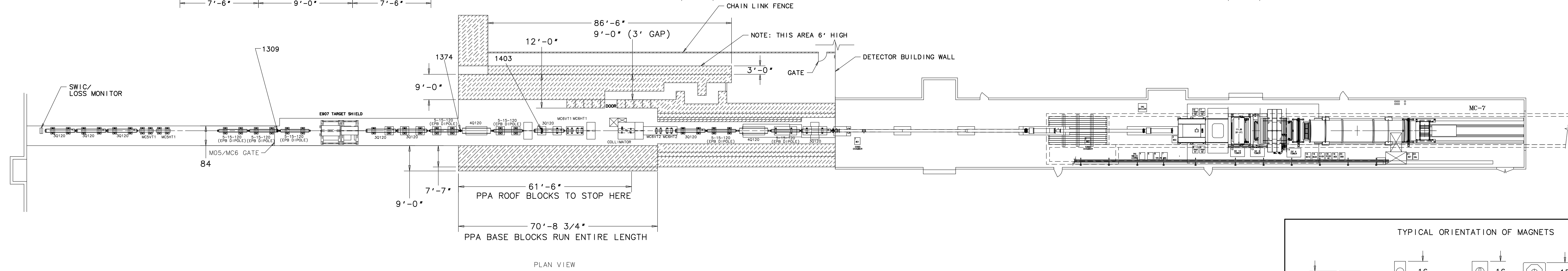
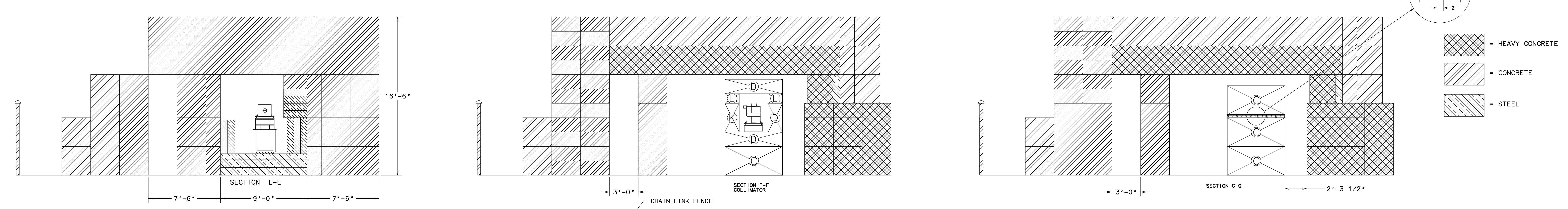
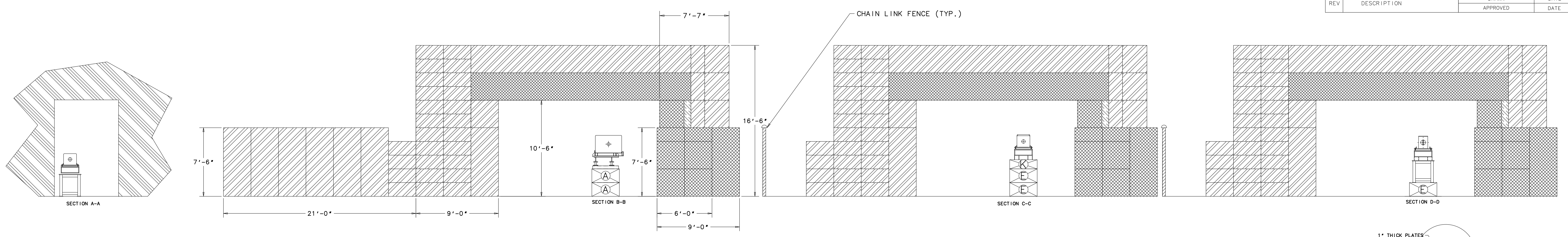


REV	DESCRIPTION	DRAWN	DATE
1			



UNLESS OTHERWISE SPECIFIED			ORIGINATOR	C. ADER	04-JUN-2003
FRACTIONS	DECIMALS	ANGLES	DRAWN	S. OPLT	05-SEP-2003
± 1/16	± .015	± 1°	CHECKED		
1. BREAK ALL SHARP EDGES			APPROVED		
2. DO NOT SCALE DRAWING			USED ON		
3. DIMENSIONS BASED UPON ANSI Y14.5M-1982					
4. MAX. ALL MACH. SURFACES					
125					
FERMI NATIONAL ACCELERATOR LABORATORY UNITED STATES DEPARTMENT OF ENERGY					
SWITCHYARD BEAMLINE MIPP BEAMLINE LAYOUT					
SCALE	DRAWING NUMBER	SHEET	REV		
1"=15'	9070.000-ME-365088	1 OF 1			
CREATED WITH:	GROUP:				
Idaes9m3	BEAMS DIV. MECH. SUPPT.				